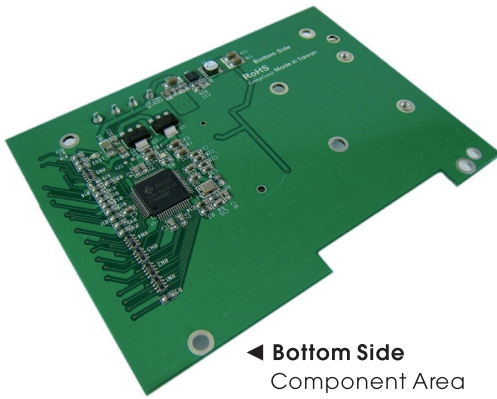
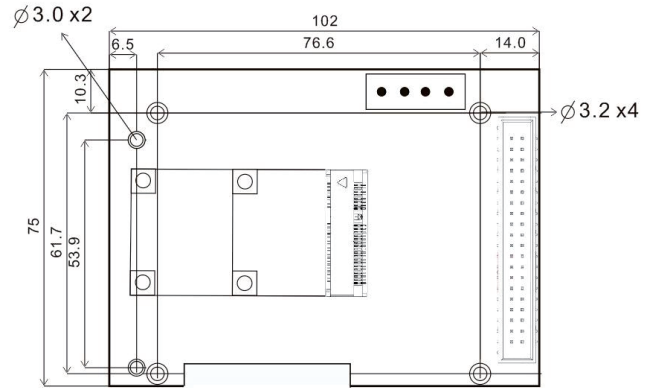


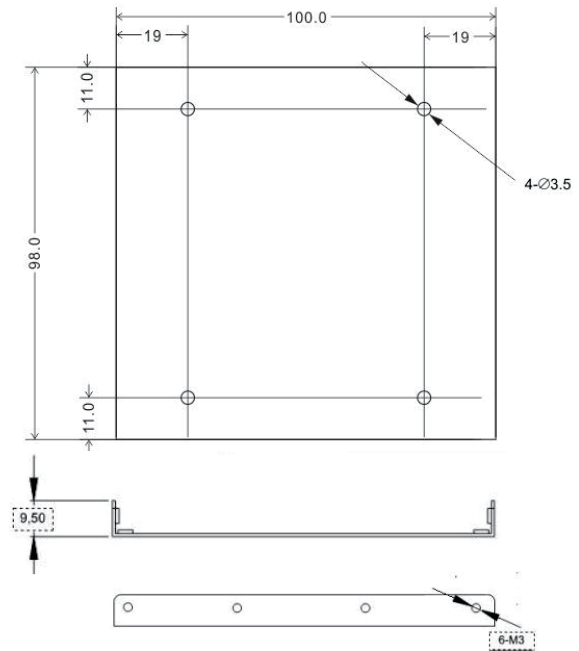
mSATA SSD to IDE 40pin Adapter



Dimensions (unit:mm)



▲ AD263 Adapter



▲ 3.5" Frame Bracket

Order Information

Part No.	AD263FE9
Description	IDE 40pin to mSATA SSD Adapter with 3.5" Frame Bracket

Features

- Support SATA Reversion 3.2
- PCI Express Mini Card Electromechanical Spec. 1.2
- Support ATA/ATAPI-7 specification
- ATA/ATAPI Ultra DMA Mode 0, 1, 2, 3, 4, 5, 6, 7.

Specifications

- mSATA SSD to IDE 40Pin Module
- Green LED indicates the mSATA SSD's Power status
- Red LED indicates the mSATA SSD's Active status
- PWM synchronous buck converter Power IC
 - 3A maximum output current
 - Short circuit protection
 - In-rush current suppression
 - Thermal shutdown protection
 - ESD HBM (Human Body Mode)/2KV

Support mSATA SSD Form factor

- Full Size: 50.95mm(L) x 30mm(W)
- Half Size: 50.95mm(L) x 30mm(W)